

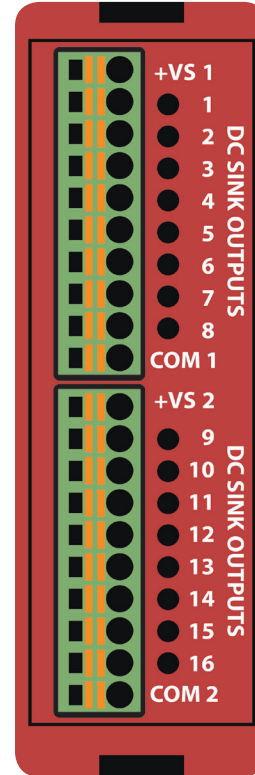
EZ I/O™

16 pt. 24VDC Output Sinking Module

EZLGX-IO-16DCON
\$59

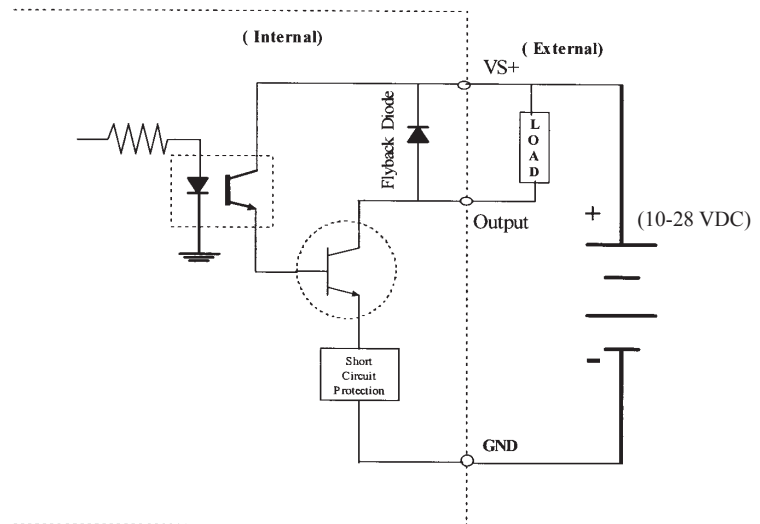
EZLogix

Module Specifications	
Number of Outputs	16 sinking
Peak Voltage	50.0 VDC
Maximum Steady State Output Current	0.4A per output
Maximum Leakage Current	100 μ A @ 50 VDC @ 50°C
ON Voltage Drop	1.3 VDC @ 0.5A
Maximum Inrush Current	1.0A for 10ms
OFF to ON Response	< 2 μ s
ON to OFF Response	<10 μ s
Status Indicators	Red LED for each output
+V Terminals & Commons	Two V+, 2 Common
Short Circuit Protection	Turns off outputs upon short circuit detection
Base Power Required (5V)	40mA, all outputs on
Optical Isolation	2500 Volt
Wires	14 to 24 AWG



EZLGX-IO-16DCON

Pinout Information			
1	+VS1	11	+VS2
2	Output(1)	12	Output(9)
3	Output(2)	13	Output(10)
4	Output(3)	14	Output(11)
5	Output(4)	15	Output(12)
6	Output(5)	16	Output(13)
7	Output(6)	17	Output(14)
8	Output(7)	18	Output(15)
9	Output(8)	19	Output(16)
10	COM1	20	COM2



DC OUTPUT [SINK]