



EZMarquee - 1 Line 20 Characters

1 Line 20 Characters - NEMA 12

The 1 Line 20 Char EZMarquee can hold up to a maximum of 20 characters (2") per line and features 1 line of RED/Tri-Color LEDs. EZMarquees are enclosed in NEMA 12 extruded aluminum housing with NEMA ICS 2-230 level of electrical noise immunity. All 1 Line 20 Character models are capable of communicating over RS232 and RS422/485 along with different models for Ethernet, DeviceNet and Profibus connectivity.

Characteristics:

Character Height: 2"
 Characters per Line: 20
 Number of Lines: 1
 Visibility: 100'

1 Line 20 Characters features:

- 1 line of 10 characters max
- Pre-matched LEDs
- 24 Hour Burn-In tested
- International Character Set
- Hang Mounting
- NEMA 4X Housing
- NEMA ICS 2-230
- 110/220 VAC Power Input
- Surge Protection
- 100,000+ Hours Rated Life

See the different communication interface options available in the charts below.



Red Indoor

Model Number	Description	Price	Del.
EZMR-2L20C	RS232 and RS422/485 Only	\$549	STK
EZMR-2L20C-E	Ethernet Included	\$648	3DAY
EZMR-2L20C-D	Devicenet Included	\$648	3DAY
EZMR-2L20C-P	Profibus Included	\$678	3DAY

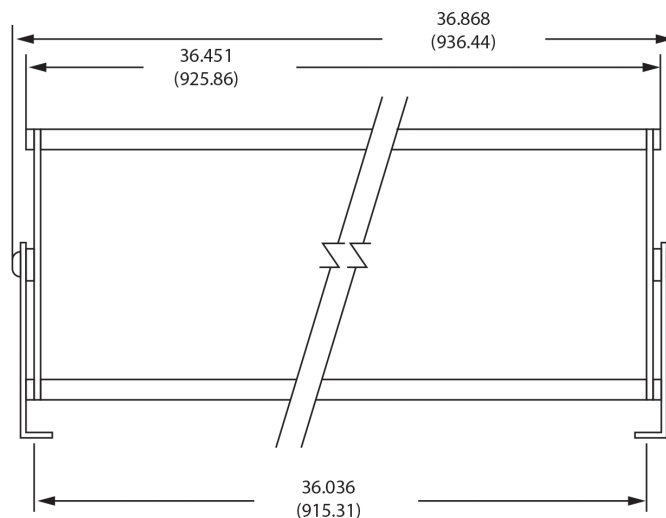
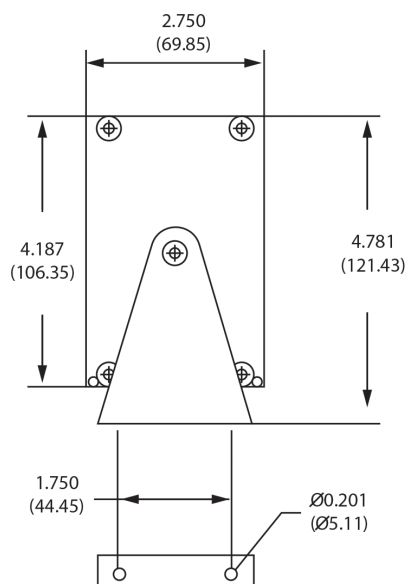


Tri Color Indoor

Model Number	Description	Price	Del.
EZMT-2L20C	RS232 and RS422/485 Only	\$649	STK
EZMT-2L20C-E	Ethernet Included	\$748	3DAY
EZMT-2L20C-D	Devicenet Included	\$748	3DAY
EZMT-2L20C-P	Profibus Included	\$778	3DAY

RED Outdoor Highbright

Model Number	Description	Price	Del.
EZMRH-2L20C	RS232 and RS422/485 Only	\$1,099	STK
EZMRH-2L20C-E	Ethernet Included	\$1,299	3DAY
EZMRH-2L20C-D	Devicenet Included	\$1,299	3DAY
EZMRH-2L20C-P	Profibus Included	\$1,359	3DAY



MOUNTING HOLE CENTERS