

EZMarquee - 2 Lines 20 Characters (Outdoor)

2 Lines 20 Characters - NEMA 4X

The 2 Line 20 Char EZMarquee can hold up to a maximum of 20 characters (2") per line and features 2 lines of RED/Tri-Color LEDs. EZMarquees are enclosed in NEMA 4X extruded aluminum housing with NEMA ICS 2-230 level of electrical noise immunity.

All 2 Line 20 Character models are capable of communicating over RS232 and RS422/485 along with different models for Ethernet, DeviceNet and Profibus connectivity.

Characteristics:

Character Height:	2" / 4"
Characters per Line:	20 / 10
Number of Lines:	2 / 1
Visibility:	100' / 200'

2 Lines 20 Characters feature:

- 2 lines of 20 characters max
- Pre-matched LEDs
- 24 Hour Burn-In tested
- International Character Set
- Hang Mounting
- NEMA 4/4X Outdoor Housing
- NEMA ICS 2-230
- 110/220 VAC Power Input
- Surge Protection
- 100,000+ Hours Rated Life

See the different communication interface options available in the charts below



RED Outdoor



TRI color Outdoor

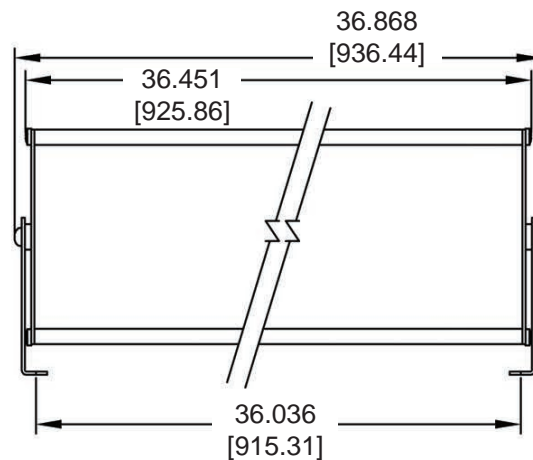
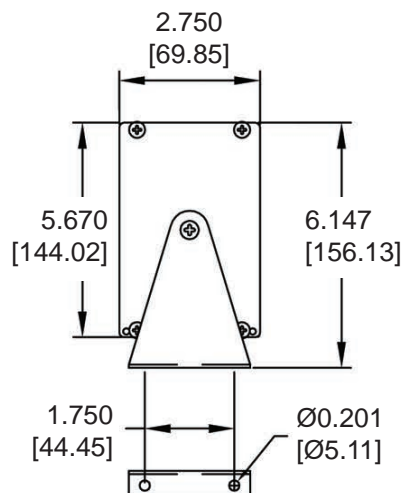
Model Number	Interface	Price	Del.
EZMR-2L20C-OUT	RS232 and RS422/485 only	\$2299	STK
EZMR-2L20C-E-OUT	Ethernet included	\$2499	3DAY
EZMR-2L20C-D-OUT	DeviceNet included	\$2499	3DAY
EZMR-2L20C-P-OUT	Profibus included	\$2399	3DAY

Model Number	Interface	Price	Del.
EZMT-2L20C-OUT	RS232 and RS422/485 only	\$2199	STK
EZMT-2L20C-E-OUT	Ethernet included	\$2799	3DAY
EZMT-2L20C-D-OUT	DeviceNet included	\$2799	3DAY
EZMT-2L20C-P-OUT	Profibus included	\$2799	3DAY

RED Outdoor Highbright

Model Number	Interface	Price	Del.
EZMRH-2L20C-OUT	RS232 and RS422/485 only	\$3199	STK
EZMRH-2L20C-E-OUT	Ethernet included	\$3499	3DAY
EZMRH-2L20C-D-OUT	DeviceNet included	\$3499	3DAY
EZMRH-2L20C-P-OUT	Profibus included	\$3599	3DAY

2 Lines 20 Characters Dimensions



MOUNTING HOLE CENTERS



EZMarquee 2 Line 20 Character and 2 Line 40 Character Selection Guide and Specifications (Outdoor)

EZ Marquee Outdoor Model Specifications					
Part Number	EZMR-2L20C-OUT \$2299 EZMR-2L20C-E-OUT \$2499 EZMR-2L20C-D-OUT \$2499 EZMR-2L20C-P-OUT \$2399 EZMRH-2L20C-OUT \$3199 EZMRH-2L20C-E-OUT \$3499 EZMRH-2L20C-D-OUT \$3499 EZMRH-2L20C-P-OUT \$3599	EZMT-2L20C-OUT \$2199 EZMT-2L20C-E-OUT \$2799 EZMT-2L20C-D-OUT \$2799 EZMT-2L20C-P-OUT \$2799	EZMR-2L40C-OUT \$3899 EZMR-2L40C-E-OUT \$3999 EZMR-2L40C-D-OUT \$3999 EZMR-2L40C-P-OUT \$3999 EZMRH-2L40C-OUT \$5599 EZMRH-2L40C-E-OUT \$5799 EZMRH-2L40C-D-OUT \$5799 EZMRH-2L40C-P-OUT \$5999	EZMT-2L40C-OUT \$4699 EZMT-2L40C-E-OUT \$4899 EZMT-2L40C-D-OUT \$4899 EZMT-2L40C-P-OUT \$4499	
Display Type for Indoor	RED LED	TRI-Color LED	RED LED	TRI-Color LED	
Display Type for "H"	RED Sunlight Readable 8000 nits		RED Sunlight Readable 8000 nits		
Specification	2 Lines of 20 Char (2")		2 Lines of 40 Char (2")		
Max. Viewable Distance	200 Feet with 4" Characters				
Power Consumption	30 watts	55 watts	54 watts	100 watts	
Agency Approvals	UL, CUL, CE, pending				
Enclosure	NEMA 4/4X (Outdoor rated)				
Operating Temperature	-20° to 60° C Ambient				
Storage Temperature	-40° to 95° C Ambient				
Humidity	10% to 95% RH, Non-Condensing				
Input Power	110/220 VAC, 47-63Hz				
Electrical Interference	NEMA ICS 2-230 Showering Arc Test				
Electrical Tolerance	ANSI C37.90a-1974 (SWC) Surge With-Stand Capability Test				
Vibration	5 - 55 Hz 2G for 2 hours in the X, Y, and Z axis				
Shock	10G for under 12ms in the X, Y, and Z axis				
Serial Communications	Port 1 RS232; Port 2 RS422/485				
External Dimensions	36.1" x 11.7" x 2.8" (936.44 x 156.13 x 69.85mm)		72.1" x 5.4" x 2.8" (1831.31 x 106.35 x 69.85mm)		
Weight	8 lbs	8.5 lbs	15 lbs	16 lbs	