

EZMarquee - 4 Lines 20 Characters (Outdoor)

4 Lines 20 Characters - NEMA 4X

The 4 Line 20 Char EZMarquee can hold up to a maximum of 20 characters (2") per line and features 4 lines of RED/Tri-Color LEDs. EZMarquees are enclosed in NEMA 4X extruded aluminum housing with NEMA ICS 2-230 level of electrical noise immunity.

All 4 Line 20 Character models are capable of communicating over RS232 and RS422/485 along with different models for Ethernet, DeviceNet and Profibus connectivity.

Characteristics:

Character Height:	2" / 4" / 6" / 8"
Characters per Line:	20 / 10 / 6 / 5
Number of Lines:	4 / 2 / 1 / 1
Visibility:	100'/200'/300'/400'

4 Lines 20 Characters feature:

- 4 lines of 20 characters max
- Pre-matched LEDs
- 24 Hour Burn-In tested
- International Character Set
- Hang Mounting
- NEMA 4/4X Outdoor Housing
- NEMA ICS 2-230
- 110/220 VAC Power Input
- Surge Protection
- 100,000+ Hours Rated Life

See the different communication interface options available in the charts below



RED Outdoor

Model Number	Interface	Price	Del.
EZMR-4L20C-OUT	RS232 and RS422/485 only	\$3699	STK
EZMR-4L20C-E-OUT	Ethernet included	\$3999	3DAY
EZMR-4L20C-D-OUT	DeviceNet included	\$3999	3DAY
EZMR-4L20C-P-OUT	Profibus included	\$3999	3DAY

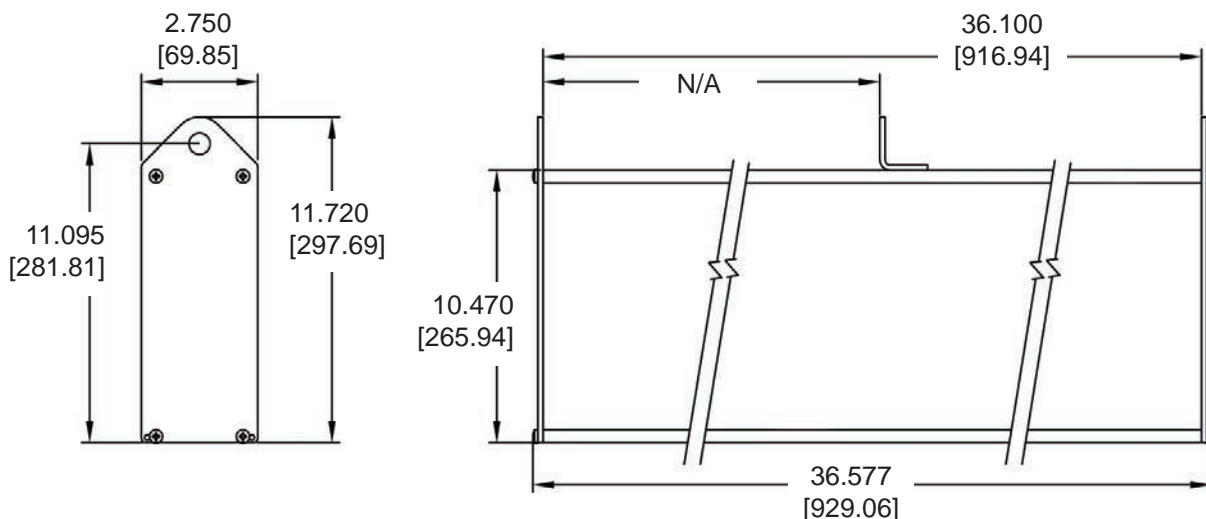
TRI color Outdoor

Model Number	Interface	Price	Del.
EZMT-4L20C-OUT	RS232 and RS422/485 only	\$4299	STK
EZMT-4L20C-E-OUT	Ethernet included	\$4799	3DAY
EZMT-4L20C-D-OUT	DeviceNet included	\$4899	3DAY
EZMT-4L20C-P-OUT	Profibus included	\$4999	3DAY

RED Outdoor Highbright

Model Number	Interface	Price	Del.
EZMRH-4L20C-OUT	RS232 and RS422/485 only	\$5559	STK
EZMRH-4L20C-E-OUT	Ethernet included	\$5999	3DAY
EZMRH-4L20C-D-OUT	DeviceNet included	\$5999	3DAY
EZMRH-4L20C-P-OUT	Profibus included	\$5999	3DAY

4 Lines 20 Characters Dimensions





EZMarquee 4 Line 20 Character and 4 Line 40 Character Selection Guide and Specifications (Outdoor)

EZ Marquee Outdoor Model Specifications					
Part Number	EZMR-4L20C-OUT \$3699 EZMR-4L20C-E-OUT \$3999 EZMR-4L20C-D-OUT \$3999 EZMR-4L20C-P-OUT \$3999 EZMRH-4L20C-OUT \$5559 EZMRH-4L20C-E-OUT \$5999 EZMRH-4L20C-D-OUT \$5999 EZMRH-4L20C-P-OUT \$5999	EZMT-4L20C-OUT \$4299 EZMT-4L20C-E-OUT \$4799 EZMT-4L20C-D-OUT \$4899 EZMT-4L20C-P-OUT \$4999	EZMR-4L40C-OUT \$5799 EZMR-4L40C-E-OUT \$5999 EZMR-4L40C-D-OUT \$5999 EZMR-4L40C-P-OUT \$5899 EZMRH-4L40C-OUT \$8299 EZMRH-4L40C-E-OUT \$8599 EZMRH-4L40C-D-OUT \$8599 EZMRH-4L40C-P-OUT \$8999	EZMT-4L40C-OUT \$7899 EZMT-4L40C-E-OUT \$7999 EZMT-4L40C-D-OUT \$7999 EZMT-4L40C-P-OUT \$7999	
Display Type for Indoor	RED LED	TRI-Color LED	RED LED	TRI-Color LED	
Display Type for "H"	RED Sunlight Readable 8000 nits		RED Sunlight Readable 8000 nits		
Specification	4 Lines of 20 Char (2")		4 Lines of 40 Char (2")		
Max. Viewable Distance	400 Feet with 8" Characters				
Power Consumption	55 watts	100 watts	100 watts	180 watts	
Agency Approvals	UL, CUL, CE, pending				
Enclosure	NEMA 4/4X (Outdoor rated)				
Operating Temperature	-20° to 60° C Ambient				
Storage Temperature	-40° to 95° C Ambient				
Humidity	10% to 95% RH, Non-Condensing				
Input Power	110/220 VAC, 47-63Hz				
Electrical Interference	NEMA ICS 2-230 Showering Arc Test				
Electrical Tolerance	ANSI C37.90a-1974 (SWC) Surge With-Stand Capability Test				
Vibration	5 - 55 Hz 2G for 2 hours in the X, Y, and Z axis				
Shock	10G for under 12ms in the X, Y, and Z axis				
Serial Communications	Port 1 RS232; Port 2 RS422/485				
External Dimensions	36.577" x 11.720" x 2.750" (929.06 x 297.69 x 69.85mm)		72.450" x 11.720" x 2.750" (1840.24 x 297.69 x 69.85mm)		
Weight	15 lbs	16 lbs	30 lbs	32 lbs	