

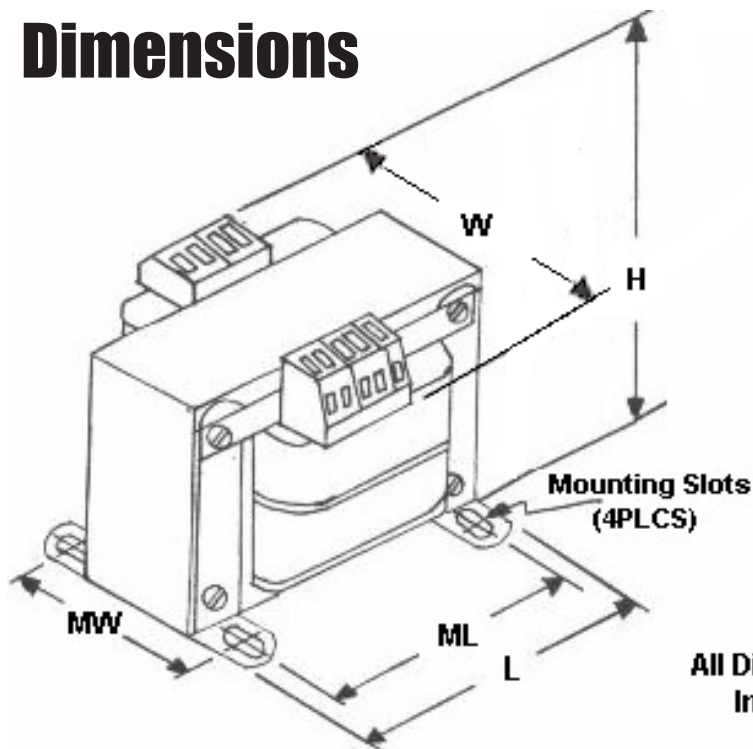
Group AG - 240/480 (Primary)/120/240 VAC (Secondary) Control Transformers Specs

Primary Voltage : 240/480 VAC @ 50/60Hz
Secondary Voltage : 120/240 VAC



Part Number	VA	Output Current (Amps) 120/240	Impedance %z	Total Heat Dissipation (Watts)**	Overall Dimensions			Mounting Centers		Mt. Slot (4PLCS)	Wt. Lbs	Price
					L	W	H	ML	MW			
EZ-CT0050-AG00	50	0.42/0.21	8.3	11	3.000	3.563	2.750	2.500	2.250	3/8 x 13/64	2.72	\$34
EZ-CT0075-AG00	75	0.63/0.31	8.7	14	3.000	3.750	2.750	2.500	2.438	3/8 x 13/64	3.10	\$36
EZ-CT0100-AG00	100	0.83/0.42	8.4	14	3.000	3.750	2.750	2.500	2.625	3/8 x 13/64	3.26	\$42
EZ-CT0150-AG00	150	1.25/0.63	8.0	18	3.750	4.125	3.375	3.125	2.750	3/8 x 13/64	5.82	\$52
EZ-CT0250-AG00	250	2.08/1.04	7.8	29	4.125	4.313	3.500	3.438	3.000	3/8 x 13/64	9.34	\$67
EZ-CT0300-AG00	300				4.500	4.313	3.875	3.750	3.000	3/8 x 13/64	9.64	\$72
EZ-CT0350-AG00	350	2.92/1.46	7.0	33	4.500	4.813	3.875	3.750	3.500	3/8 x 13/64	11.50	\$78
EZ-CT0500-AG00	500	4.17/2.08	5.0	40	5.250	4.750	5.250	4.375	3.625	9/16 x 9/32	18.00	\$98
EZ-CT0750-AG00	750	6.25/3.13	4.9	54	5.250	5.250	5.250	4.375	4.125	9/16 x 9/32	24.72	\$130
EZ-CT1000-AG00	1000	8.33/4.17	3.9	69	6.375	5.125	6.125	5.313	3.750	9/16 x 9/32	25.74	\$145
EZ-CT1500-AG00	1500	12.5/6.25	3.9	101	6.375	6.625	6.625	5.313	5.125	9/16 x 9/32	36.75	\$195

Dimensions



All Dimensions
In Inches

Wiring & Schematic

