

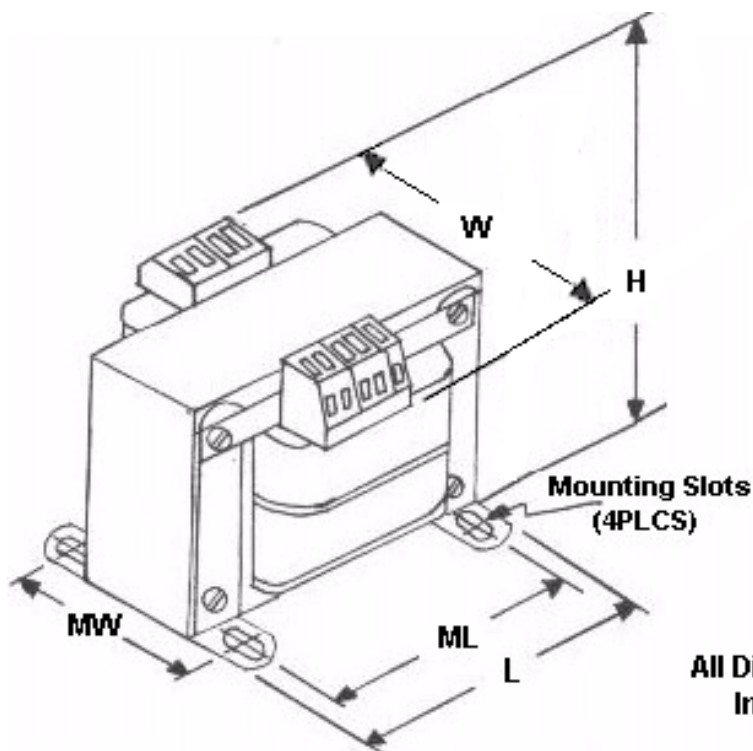
Group KA - 120/240 (Primary) / 12/24 VAC (Secondary) Control Transformers Specs

Primary Voltage : 120/240 VAC @ 50/60Hz
Secondary Voltage : 12/24 VAC



Part Number	VA	Output Current (Amps) 12/24	Impedance %z	Total Heat Dissipation (Watts)**	Overall Dimensions			Mounting Centers		Mt. Slot (4PLCS)	Wt. Lbs	Price
					L	W	H	ML	MW			
EZ-CT0050-KA00	50	4.17/2.08	8.3	11	3.000	3.563	2.750	2.500	2.250	3/8 x 13/64	2.72	\$34
EZ-CT0075-KA00	75	6.25/3.13	8.7	14	3.000	3.750	2.750	2.500	2.438	3/8 x 13/64	3.10	\$35
EZ-CT0100-KA00	100	8.33/4.17	8.4	14	3.000	3.750	2.750	2.500	2.625	3/8 x 13/64	3.26	\$39
EZ-CT0150-KA00	150	12.5/6.25	8.0	18	3.750	4.125	3.375	3.125	2.750	3/8 x 13/64	5.82	\$53
EZ-CT0250-KA00	250	20.8/10.4	7.8	29	4.125	4.313	3.500	3.438	3.000	3/8 x 13/64	9.34	\$67
EZ-CT0350-KA00	350	29.2/14.6	7.0	33	4.500	4.813	3.875	3.750	3.500	3/8 x 13/64	11.50	\$78
EZ-CT0500-KA00	500	41.7/20.8	5.0	40	5.250	4.750	5.250	4.375	3.625	9/16 x 9/32	18.00	\$99
EZ-CT0750-KA00	750	62.5/31.3	4.9	54	5.250	5.250	5.250	4.375	4.125	9/16 x 9/32	24.72	\$133
EZ-CT1000-KA00	1000	83.3/41.7	3.9	69	6.375	5.125	6.125	5.313	3.750	9/16 x 9/32	25.74	\$149

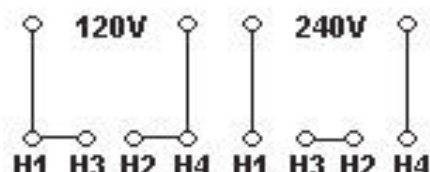
Dimensions



All Dimensions
In Inches

Wiring & Schematic

Connection Diagram



Schematic

