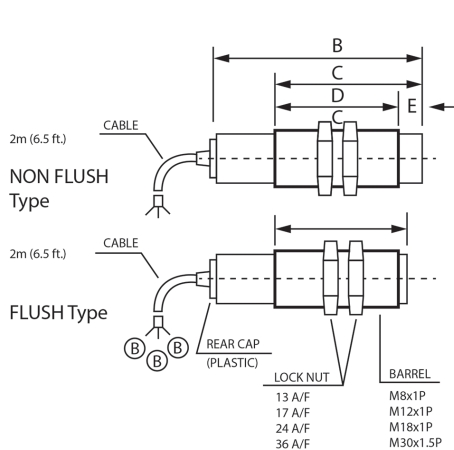




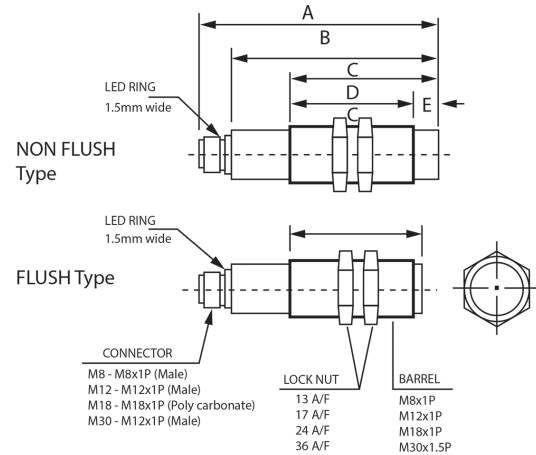
Selection Guide and Specifications

Specifications	M8		M12		M18		M30	
	Flush	Non Flush	Flush	Non Flush	Flush	Non Flush	Flush	Non Flush
Housing Construction	Stainless Steel SS304		Nickel Plated Brass or Stainless Steel SS304 (Double sense only in Stainless Steel SS304)					
Sensing Distance (Standard)	2.0mm (0.079in)	2.5mm (0.098in)	2.5mm (0.098in)	4.0mm (0.157in)	5.0mm (0.196in)	8.0mm (0.315in)	10.0mm (0.393in)	15.0mm (0.590in)
Sensing Distance (Double Sense)	4.0mm (0.157in)	6.0mm (0.236in)	6.0mm (0.236in)	10.0mm (0.393in)	12.0mm (0.472in)	18.0mm (0.709in)	20mm (.787in)	30mm (1.18in)
Switching Frequency	1000 Hz		2000 Hz		600 Hz		200 Hz	
Metal Sensing Material Factor	Steel Type FE 360 - S(n) x 1.00, Brass - S(n) x 0.64, Aluminum - S(n) x 0.55, Copper - S(n) x 0.51, Stainless Steel (V2A) - S(n) x 0.85							
Differential Hysteresis	2-10%							
Repeat Accuracy	Better than 2% of sensing distance							
Supply Voltage	10-30VDC with <10% ripple							
No Load Supply Current	≤20mA							
Load Current	Maximum 100mA		Maximum 200mA			Maximum 400mA		
Leakage Current	≤10µA							
Voltage Drop	1.2 volts maximum							
Output Logic	PNP sourcing transistor or NPN sinking transistor "ON" when target within sensing range, "OFF" if no target, for NO models. Reverse logic for NC models							
Light Ring Indicators	LED Light Ring Indicator turns ON when output transistor is ON							
Time delay before availability (tv)	100ms maximum							
Power & Output Voltage Protection	Reverse polarity protection for power, Short-circuit protection for output with automatic recovery and transient voltage protection for output for typical inductive load							
Operating Temperature / Drift	-25° to + 70° C (-13° to 158° F), Drift of sensing range <10%							
Tightening Torque	4 Nm (2.95 lb-ft)		10 Nm (7.37 lb-ft)		35.0 Nm (25.8 lb-ft)		50.0 Nm (36.8 lb-ft)	
Protection Degree	IEC IP 67, NEMA 6P							
Agency Approvals	cUL, UL pending							
Sensing Face materials	PBT							



* All dimensions in mm, NB-Nickel Brass, SS-Stainless Steel, TS-Triple Sense Stainless Steel

Sizes	B	C	D	E
M8, NB, SS or TS	50	50	45	5
M12, NB or SS	50	38	33	5
M12, TS Flush	50	38	-	-
M12, TS Non Flush	53	41	33	8
M18, NB or SS	50	38	30	8
M18, TS Flush	50	38	-	-
M18, TS Non Flush	54	42	30	12
M30, NB or SS	60	48	33	15



* All dimensions in mm, NB-Nickel Brass, SS-Stainless Steel, TS-Triple Sense Stainless Steel

Sizes	A	B	C	D	E
M8, NB, SS or TS	60	50	50	45	5
M12, NB or SS	60	50	38	33	5
M12, TS Flush	60	50	38	-	-
M12, TS Non Flush	63	53	41	33	8
M18, NB or SS	60	46	34	26	8
M18, TS Flush	60	48	34	-	-
M18, TS Non Flush	64	50	38	26	12
M30, NB or SS	65	51	39	24	15