

# EZMarquee - 1 Line 10 Characters

## 1 Line 10 Characters - NEMA 12

The 1 Line 10 Char EZMarquee can hold up to a maximum of 10 characters (2") per line and features 1 line of RED/Tri-Color LEDs. EZMarquees are enclosed in NEMA 12 extruded aluminum housing with NEMA ICS 2-230 level of electrical noise immunity. All 1 Line 10 Character models are capable of communicating over RS232 and RS422/485 along with different models for Ethernet, DeviceNet and Profibus connectivity.

### Characteristics:

Character Height: 2"  
 Characters per Line: 10  
 Number of Lines: 1  
 Visibility: 100'

## 1 Line 10 Characters feature:

- 1 line of 10 characters max
- Pre-matched LEDs
- 24 Hour Burn-In tested
- International Character Set
- Hang Mounting
- NEMA 12 Housing
- NEMA ICS 2-230
- 110/220 VAC Power Input
- Surge Protection
- 100,000+ Hours Rated Life

See the different communication interface options available in the charts below



RED Indoor

Model Number	Interface	Price	Del.
<b>EZMR-1L10C</b>	RS232 and RS422/485 only	\$379	STK
<b>EZMR-1L10C-E</b>	Ethernet included	\$478	3DAY
<b>EZMR-1L10C-D</b>	DeviceNet included	\$478	3DAY
<b>EZMR-1L10C-P</b>	Profibus included	\$518	3DAY



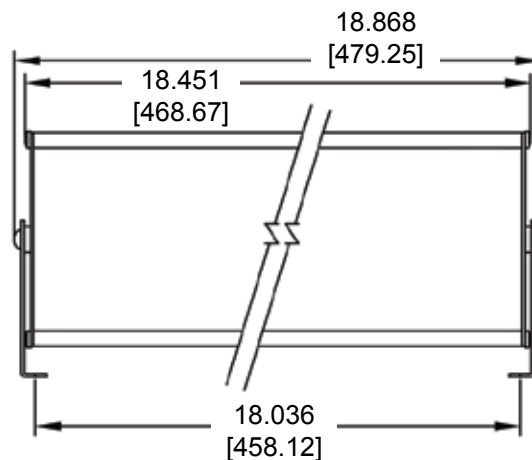
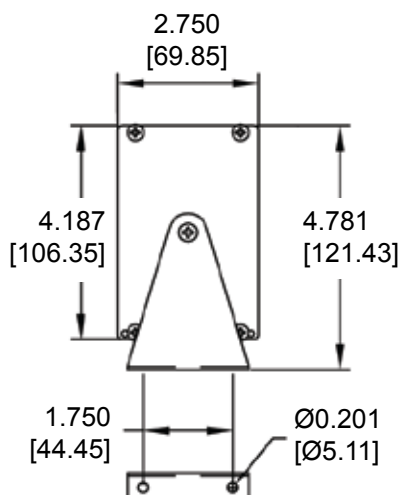
TRI color Indoor

Model Number	Interface	Price	Del.
<b>EZMT-1L10C</b>	RS232 and RS422/485 only	\$489	STK
<b>EZMT-1L10C-E</b>	Ethernet included	\$588	3DAY
<b>EZMT-1L10C-D</b>	DeviceNet included	\$588	3DAY
<b>EZMT-1L10C-P</b>	Profibus included	\$628	3DAY

### RED High-bright

Model Number	Interface	Price	Del.
<b>EZMRH-1L10C</b>	RS232 and RS422/485 only	\$749	STK
<b>EZMRH-1L10C-E</b>	Ethernet included	\$959	3DAY
<b>EZMRH-1L10C-D</b>	DeviceNet included	\$959	3DAY
<b>EZMRH-1L10C-P</b>	Profibus included	\$1039	3DAY

## 1 Line 10 Characters Dimensions



MOUNTING HOLE CENTERS