

EZMarquee - 1 Line 20 Characters

1 Line 20 Characters - NEMA 12

The 1 Line 20 Char EZMarquee can hold up to a maximum of 20 characters (2") per line and features 1 line of RED/Tri-Color LEDs. EZMarquees are enclosed in NEMA 12 extruded aluminum housing with NEMA ICS 2-230 level of electrical noise immunity. All 1 Line 20 Character models are capable of communicating over RS232 and RS422/485 along with different models for Ethernet, DeviceNet and Profibus connectivity.

Characteristics:

Character Height:	2"
Characters per Line:	20
Number of Lines:	1
Visibility:	100'

1 Line 20 Characters feature:

- 1 line of 10 characters max
- Pre-matched LEDs
- 24 Hour Burn-In tested
- International Character Set
- Hang Mounting
- NEMA 12 Housing
- NEMA ICS 2-230
- 110/220 VAC Power Input
- Surge Protection
- 100,000+ Hours Rated Life

See the different communication interface options available in the charts below



RED Indoor

Model Number	Interface	Price	Del.
EZMR-1L20C	RS232 and RS422/485 only	\$549	STK
EZMR-1L20C-E	Ethernet included	\$648	3DAY
EZMR-1L20C-D	DeviceNet included	\$648	3DAY
EZMR-1L20C-P	Profibus included	\$678	3DAY



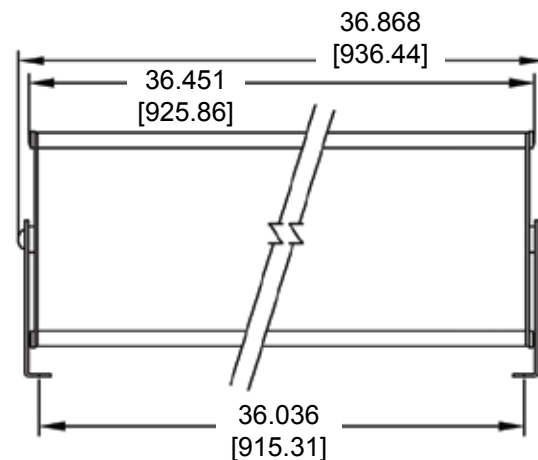
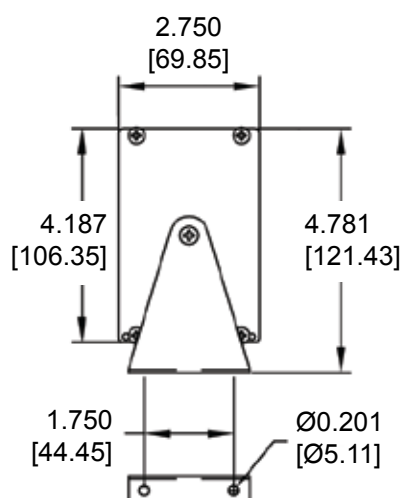
TRI color Indoor

Model Number	Interface	Price	Del.
EZMT-1L20C	RS232 and RS422/485 only	\$649	STK
EZMT-1L20C-E	Ethernet included	\$748	3DAY
EZMT-1L20C-D	DeviceNet included	\$748	3DAY
EZMT-1L20C-P	Profibus included	\$778	3DAY

RED High-bright

Model Number	Interface	Price	Del.
EZMRH-1L20C	RS232 and RS422/485 only	\$1099	STK
EZMRH-1L20C-E	Ethernet included	\$1299	3DAY
EZMRH-1L20C-D	DeviceNet included	\$1299	3DAY
EZMRH-1L20C-P	Profibus included	\$1359	3DAY

1 Line 20 Characters Dimensions



MOUNTING HOLE CENTERS