

# EZMarquee - 2 Lines 10 Characters

## 2 Lines 10 Characters - NEMA 12

The 2 Line 10 Char EZMarquee can hold up to a maximum of 10 characters (2") per line and features 2 lines of RED/Tri-Color LEDs. EZMarquees are enclosed in NEMA 12 extruded aluminum housing with NEMA ICS 2-230 level of electrical noise immunity.

All 2 Line 10 Character models are capable of communicating over RS232 and RS422/485 along with different models for Ethernet, DeviceNet and Profibus connectivity.

### Characteristics:

Character Height: 2" / 4"  
 Characters per Line: 10 / 5  
 Number of Lines: 2 / 1  
 Visibility: 100' / 200'

## 2 Lines 10 Characters feature:

- 2 lines of 10 characters max
- Pre-matched LEDs
- 24 Hour Burn-In tested
- International Character Set
- Hang Mounting
- NEMA 12 Housing
- NEMA ICS 2-230
- 110/220 VAC Power Input
- Surge Protection
- 100,000+ Hours Rated Life

See the different communication interface options available in the charts below



RED Indoor



TRI color Indoor

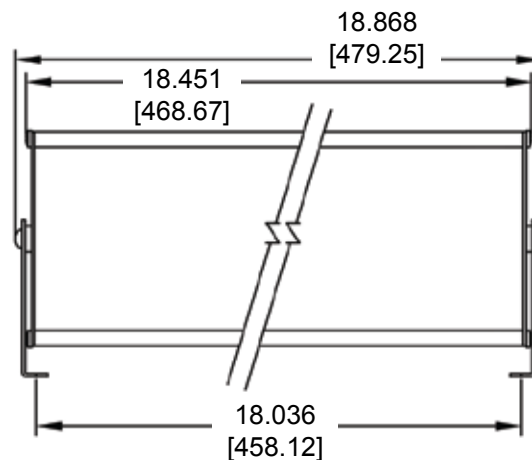
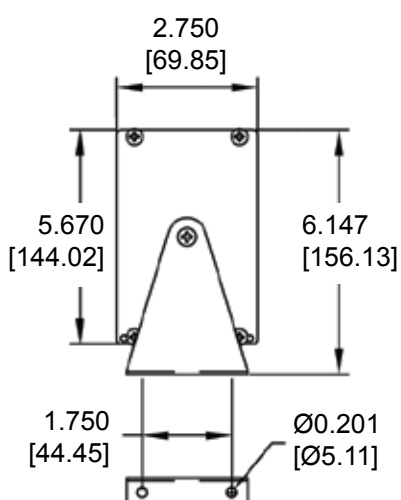
Model Number	Interface	Price	Del.
<b>EZMR-2L10C</b>	RS232 and RS422/485 only	\$599	STK
<b>EZMR-2L10C-E</b>	Ethernet included	\$698	3DAY
<b>EZMR-2L10C-D</b>	DeviceNet included	\$698	3DAY
<b>EZMR-2L10C-P</b>	Profibus included	\$728	3DAY

Model Number	Interface	Price	Del.
<b>EZMT-2L10C</b>	RS232 and RS422/485 only	\$699	STK
<b>EZMT-2L10C-E</b>	Ethernet included	\$798	3DAY
<b>EZMT-2L10C-D</b>	DeviceNet included	\$798	3DAY
<b>EZMT-2L10C-P</b>	Profibus included	\$828	3DAY

### RED High-bright

Model Number	Interface	Price	Del.
<b>EZMRH-2L10C</b>	RS232 and RS422/485 only	\$1199	STK
<b>EZMRH-2L10C-E</b>	Ethernet included	\$1399	3DAY
<b>EZMRH-2L10C-D</b>	DeviceNet included	\$1399	3DAY
<b>EZMRH-2L10C-P</b>	Profibus included	\$1459	3DAY

## 2 Lines 10 Characters Dimensions



MOUNTING HOLE CENTERS