

EZSeries 4" Monochrome Panels

4" Monochrome EZSeries (3.8" STN)

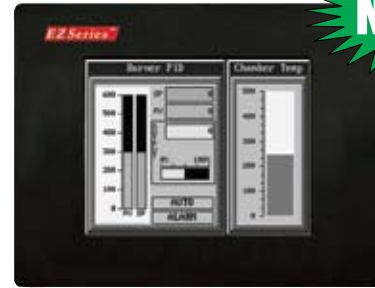
EZSeries 4" Monochrome panel has a 3.8" diagonal touch screen with 320x240 pixel resolution. This panel has an STN LCD (liquid crystal display) with 16 shades of gray. It is available with serial drivers and "E" option has Ethernet IP, EZ IP, Modbus TCP/IP, SRTP, Koyo ECOM and TCP/IP for programming.

All these panels have a very low slim profile along with a smaller footprint on enclosures.

4" Mono models feature:

- 3.8" diagonal mono STN LCD
- 16 shades of gray
- NEMA 4,4X
- 320x240 pixel resolution
- 140 nits brightness
- 50,000 hour expected bulb half-life
- 1/4" gasket and four DIN mounting clips
- 48 touch cells (8x6)
- Has all EZSeries Touchpanel objects
- Has all 4,000 Library symbols
- Programmed with EZSeries Programming Software

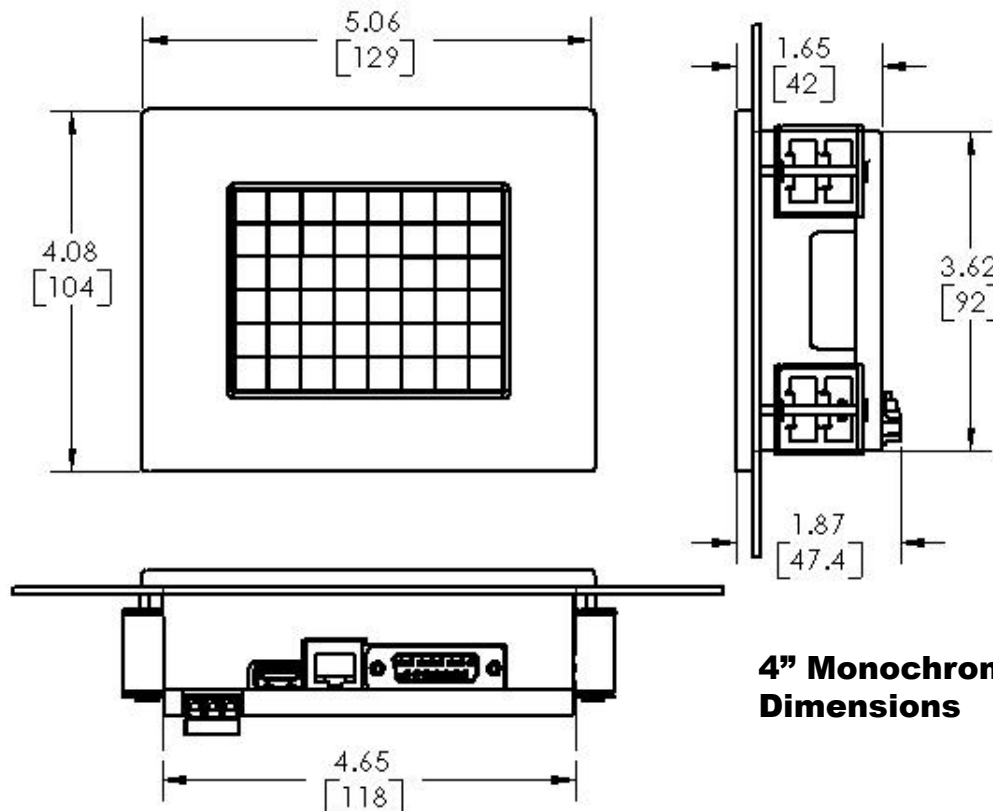
See the different communication interface options available in the chart to the right



| Model Number | Interface | Price | Del. |
|------------------|---|-------|------|
| EZ-S4M-FS | All serial drivers (non-expandable) | \$199 | STK |
| EZ-S4M-FE | Ethernet IP, EZ IP, Modbus TCP/IP, SRTP, Koyo ECOM and TCP/IP for programming | \$299 | STK |

Notes:

1. These panels do not have a built-in Real-time clock and program back-up battery as the user program stored in flash
2. They do not have the option for use of Network cards such as DH+ or Profibus
3. These panels do not need RMC card for Remote Monitoring and Control, as this function can be performed over either built-in Ethernet port or Serial port



**4" Monochrome
Dimensions**