

# EZSeries TouchPLC 6" Mono Slim Bezel Panels

## 6" Monochrome EZSeries TouchPLC - Slim Bezel (5.7" STN)

EZSeries TouchPLC's 6" slim bezel panels have a 5.7" diagonal touch screen with 320x240 pixel resolution. These panels have an STN LCD (liquid crystal display) with 16 shades of gray and are available with 32 I/O (max) PLC base. I/O modules are not included with EZSeries TouchPLC and can be purchased separately. Please refer to EZI/O section (9) which lists all the available modules along with part number and pricing. All these panels have a very low slim profile along with a smaller footprint on enclosures.

## 6" Mono models feature:

- 5.7" diagonal mono STN LCD 16 shades
- NEMA 4, FDA compliant material
- 320x240 pixel resolution
- 50,000 hour expected bulb half-life
- 48 touch cells (8x6)
- 1/4" gasket and four DIN mounting clips
- 4.1" (104.2mm) installed depth
- 192 touch cells
- 512K Expandable RAM for HMI

## 32 I/O EZPLC BASE

- Total Program/Data Memory 64KB
- 3ms Scantime for 1K Instruction
- RS232 & RS422/485 Ports
- ASCII In/Out
- Built-in Calendar/Clock

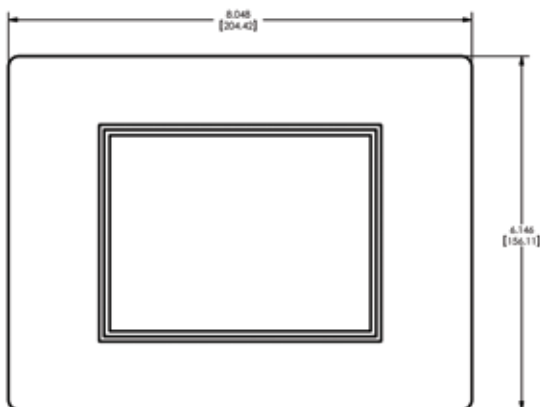
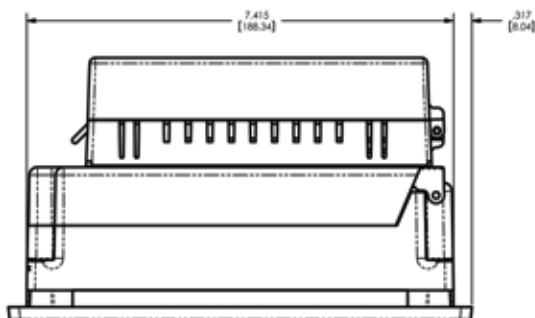


## Snap-in I/O

Model Number	Interface	Price	Del.
<b>EZP-S6M-FS-PLC</b>	6" STN Mono, 32 I/O EZPLC base, DC Power	\$662	STK
<b>EZP-S6M-FS-PLC-E</b>	6" STN Mono, 32 I/O EZPLC base w/Ethernet, DC Power	\$761	3DAY
<b>EZP-S6M-FS-PLC-D</b>	6" STN Mono, 32 I/O EZPLC base w/DeviceNet, DC Power	\$741	3DAY
<b>EZP-S6M-FS-PLC-P</b>	6" STN Mono, 32 I/O EZPLC base w/Profibus, DC Power	\$801	TBRS

## Screw-down I/O

Model Number	Interface	Price	Del.
<b>EZPP-S6M-FS-PLC</b>	6" STN Mono, 32 I/O EZPLC base, DC Power	\$712	STK
<b>EZPP-S6M-FS-PLC-E</b>	6" STN Mono, 32 I/O EZPLC base w/Ethernet, DC Power	\$811	3DAY
<b>EZpP-S6M-FS-PLC-D</b>	6" STN Mono, 32 I/O EZPLC base w/DeviceNet, DC Power	\$791	3DAY
<b>EZpP-S6M-FS-PLC-P</b>	6" STN Mono, 32 I/O EZPLC base w/Profibus, DC Power	\$851	TBRS



## 6" Mono Dimensions

