

EZSeries ToucPLC 6" White on Blue Panel

6" White on Blue EZSeries TouchPLC - Slim Bezel (5.7" STN)

These panels have a 5.7" diagonal touch screen with 320x240 pixel resolution with 4 shades of blue. This panel has an STN LCD (liquid crystal display) and is available with 32 I/O (max) PLC base. I/O modules are not included with EZSeries TouchPLC and can be purchased separately. Please refer to EZI/O section (9) which lists all the available modules along with part numbers and pricing. This panel has a very low slim profile along with a smaller footprint on enclosures.

6" White on Blue models feature:

- 5.7" diagonal White on Blue STN LCD
- 4 shades of blue
- NEMA 4, FDA compliant material
- 320x240 pixel resolution
- 50,000 hour expected bulb half-life
- 1/4" gasket and four DIN mounting clips
- 256K Display RAM, not expandable
- 48 touch cells (8x6)
- 4.1" (104.2mm) installed depth

32 I/O EZPLC BASE

- Total Program/Data Memory 64KB
- 3ms Scantime for 1K Instruction
- RS232 & RS422/485 Ports
- ASCII In/Out
- Built-in Calendar/Clock

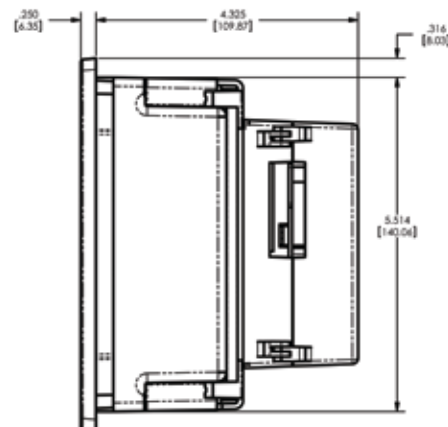
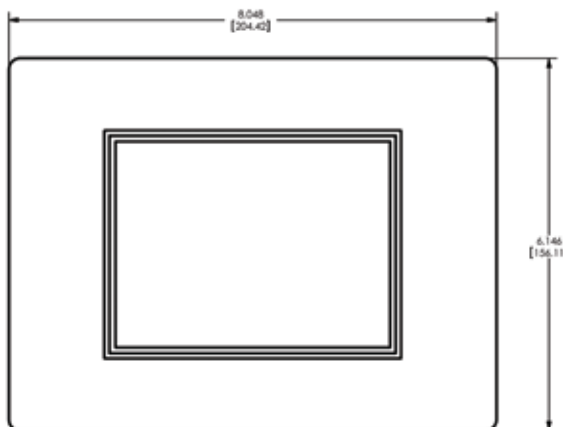
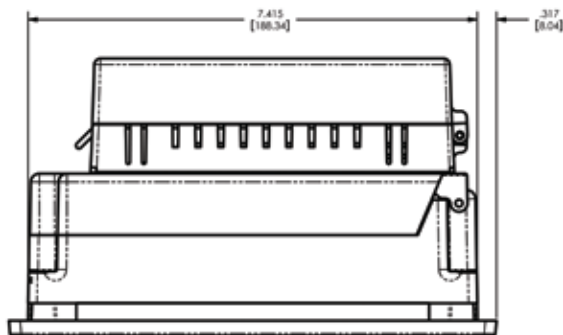


Snap-in I/O

Model Number	Interface	Price	Del.
EZP-S6W-RS-PLC	6" White on Blue, 32 Snap-in I/O EZPLC base, DC Power	\$510	STK
EZP-S6W-RS-PLC-E	6" White on Blue, 32 I/O EZPLC base w/Ethernet, DC Power	\$609	3DAY
EZP-S6W-RS-PLC-D	6" White on Blue, 32 I/O EZPLC base w/DeviceNet, DC Power	\$589	3DAY
EZP-S6W-RS-PLC-P	6" White on Blue, 32 I/O EZPLC base w/Profibus, DC Power	\$639	TBRS

Screw-down I/O

Model Number	Interface	Price	Del.
EZPP-S6W-RS-PLC	6" White on Blue, 32 I/O EZPLC base, DC Power	\$569	STK
EZPP-S6W-RS-PLC-E	6" White on Blue, 32 I/O EZPLC base w/Ethernet, DC Power	\$659	3DAY
EZPP-S6W-RS-PLC-D	6" White on Blue, 32 I/O EZPLC base w/DeviceNet, DC Power	\$639	3DAY
EZPP-S6W-RS-PLC-P	6" White on Blue, 32 I/O EZPLC base w/Profibus, DC Power	\$689	TBRS



6" White on Blue Dimensions