

# EZSeries TouchPLC 6" TFT Color Slim Bezel Panels

## 6" Color EZSeries TouchPLC - Slim Bezel (5.7" TFT)

These panels have a 5.7" diagonal touch screen with 320x240 pixel resolution. These have an TFT LCD (liquid crystal display) and is available with 32 I/O (max) PLC base. I/O modules are not included with EZSeries TouchPLC and can be purchased separately. Please refer to EZI/O section (9) which lists all the available modules along with part number and pricing. All these panels have a very low slim profile along with a smaller footprint on enclosures.

## 6" STN Color models feature:

- 5.7" diagonal color STN LCD
- Low-profile slim bezel design
- 128 colors
- NEMA 4, FDA compliant material
- 320x240 pixel resolution
- 512K RAM expandable to 1.5MB
- 512K, 1MB or 2MB option flash card for memory backup
- 75,000 hour expected bulb half-life
- 192 touch cells (16x12)
- 1/4" gasket and four DIN mounting clips
- 4.1" (104.2mm) installed depth

## 32 I/O EZPLC BASE

- Total Program/Data Memory 64KB
- 3ms Scantime for 1K Instruction
- RS232 & RS422/485 Ports
- ASCII In/Out
- Built-in Calendar/Clock

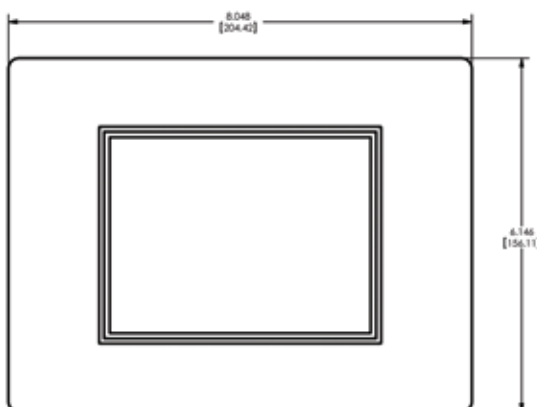
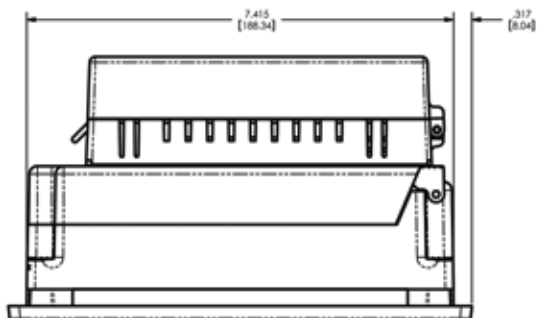


## Snap-in I/O

| Model Number            | Interface   | Price  | Del. |
|-------------------------|---|--------|------|
| <b>EZP-T6C-FS-PLC</b>   | 6" STN Color, 32 I/O EZPLC base, DC Power             | \$1110 | STK  |
| <b>EZP-T6C-FS-PLC-E</b> | 6" STN Color, 32 I/O EZPLC base w/Ethernet, DC Power  | \$1209 | 3DAY |
| <b>EZP-T6C-FS-PLC-D</b> | 6" STN Color, 32 I/O EZPLC base w/DeviceNet, DC Power | \$1189 | 3DAY |
| <b>EZP-T6C-FS-PLC-P</b> | 6" STN Color, 32 I/O EZPLC base w/Profibus, DC Power  | \$1239 | TBRS |

## Screw-down I/O

| Model Number             | Interface   | Price  | Del. |
|--------------------------|---|--------|------|
| <b>EZPP-T6C-FS-PLC</b>   | 6" STN Color, 32 I/O EZPLC base, DC Power             | \$1160 | STK  |
| <b>EZPP-T6C-FS-PLC-E</b> | 6" STN Color, 32 I/O EZPLC base w/Ethernet, DC Power  | \$1259 | 3DAY |
| <b>EZPP-T6C-FS-PLC-D</b> | 6" STN Color, 32 I/O EZPLC base w/DeviceNet, DC Power | \$1239 | 3DAY |
| <b>EZPP-T6C-FS-PLC-P</b> | 6" STN Color, 32 I/O EZPLC base w/Profibus, DC Power  | \$1289 | TBRS |



## 6" TFT Color Dimensions

