

# 4 pt. 110VAC In , 4 pt. 110VAC Out Module

| Module Specifications |                            |   |
|-----------------------|----------------------------|---|
| AC Power Supply Specs | Voltage Range              |   |
|                       | Number of Inputs           | 4   |
| AC Input Specs        | Input Voltage Range        | 70-132 VAC                                |
|                       | AC Frequency               | 47-63 Hz                                  |
|                       | Peak Voltage               | 180 Volt                                  |
|                       | Input Current              | 0.5mA @ 110 VAC                           |
|                       | Maximum Input Current      | 0.6mA @ 132 VAC                           |
|                       | Input Impedance            | 200K                                      |
|                       | ON Voltage Level           | 70 VAC                                    |
|                       | OFF Voltage Level          | 40 VAC                                    |
|                       | OFF to ON Response         | < 10ms                                    |
|                       | ON to OFF Response         | < 10ms                                    |
|                       | Status Indicators          | Red LED for each input                    |
|                       | Commons                    | 1 Common                                  |
|                       | Fuse                       | No fuse                                   |
|                       | Base Power Required (3.3V) | 10mA for all 4 on                         |
|                       | Optical Isolation          | 2500 Volt                                 |
|                       | Wires                      | 1 of 14 AWG, 2 of 18 AWG, 4 of 22 AWG     |
| AC Output Specs       | Number of Output Points    | 4   |
|                       | Number of Commons          | 1   |
|                       | Output Voltage Range       | 20-132 VAC                                |
|                       | Peak Voltage               | 180 Volt                                  |
|                       | ON Voltage Drop            | 1.2 V @ 1A                                |
|                       | Maximum Current            | 1.2 A @ 25°C, 0.8A @ 50°C for each output |
|                       | Maximum Leakage Current    | 1mA @ 132 VAC                             |
|                       | Maximum Inrush Current     | 38Amps for 16.6ms                         |
|                       | Minimum Load               | 15mA                                      |
|                       | OFF to ON Response         | max 1/2 cycle                             |
|                       | ON to OFF Response         | max 1/2 cycle                             |
|                       | Fuse                       | No fuse                                   |
|                       | Base Power Required (3.3V) | 35mA for all 4 on                         |
|                       | Optical Isolation          | 2500 Volt                                 |
|                       | Wires                      | 1 of 14 AWG, 2 of 18 AWG, 4 of 22 AWG     |



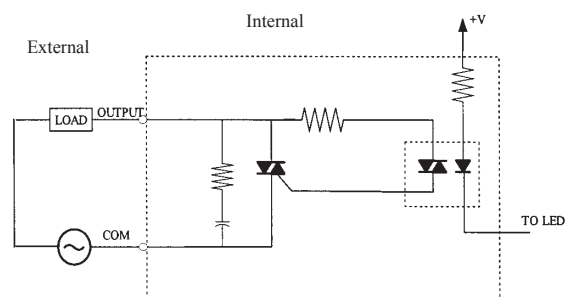
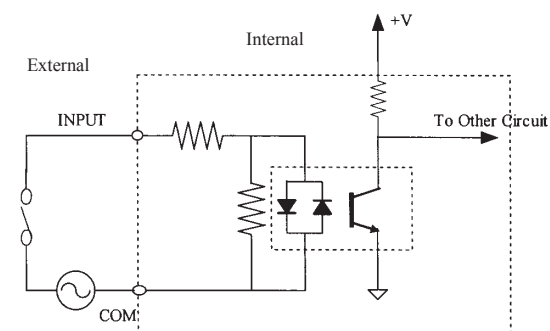
**EZIOP-4ACI4ACO**  
**\$45**

Delivery Code  
**STK**

**EZIOP-4ACI4ACO**  
**Screw-down**

| Pinout Information |               |
|--------------------|---------------|
| Pin No.            | EZIO-4ACI4ACO |
| 1                  | Input(1)      |
| 2                  | Input(2)      |
| 3                  | Input(3)      |
| 4                  | Input(4)      |
| 5                  | AC_Common     |
| 6                  | Output(1)     |
| 7                  | Output(2)     |
| 8                  | Output(3)     |
| 9                  | Output(4)     |
| 10                 | AC_Common     |
| 11                 | Not Connected |

**Terminal Block**  
**300 Volt/10**  
**Amp/14AWG**  
**UL Rating**



**For EZ-LINK cables and Terminal boards look at page 4-5**