

4 pt. 110VAC In/4 pt. 24V DC Out Module (Source)

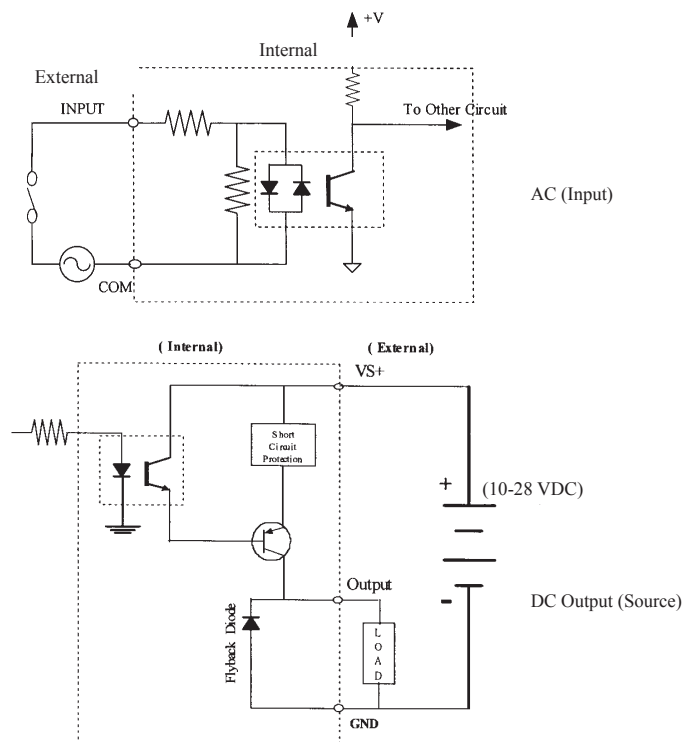

EZIO-4ACI4DCOP
\$56

 Delivery
 Code
 STK

EZIO-4ACI4DCOP
 Screw-down

Module Specifications			
AC/DC Power Supply Specs	Voltage Range		
	AC Input Specs	Number of Inputs	4
		Input Voltage Range	70-132 VAC
		AC Frequency	47-63 Hz
		Peak Voltage	180 Volt
		Input Current	0.5mA @ 110 VAC
		Maximum Input Current	0.6mA @ 132 VAC
		Input Impedance	200K
		ON Voltage Level	70 VAC
		OFF Voltage Level	40 VAC
		OFF to ON Response	< 10ms
		ON to OFF Response	< 10ms
		Status Indicators	Red LED for each input
		Commons	1 Common
		Fuse	No fuse
		Base Power Required (3.3V)	10mA for all 4 on
Optical Isolation		2500 Volt	
Wires	1 of 14 AWG, 2 of 18 AWG, 4 of 22 AWG		
DC Output Specs	Number of Outputs	4 (sourcing)	
	Peak Voltage	50.0 VDC	
	Maximum Steady State Output Current	0.5A per output, 1.0A max per module @ 50°C	
	Maximum Leakage Current	100µA @ 50 VDC @ 50°C	
	ON Voltage Drop	2 VDC @ 0.5A	
	Maximum Inrush Current	0.8A for 10ms	
	OFF to ON Response	< 2µs	
	ON to OFF Response	<10µs	
	Status Indicators	Red LED for each output	
	+V Terminals & Commons	One V+, 1 Common	
	Short Circuit Protection	1 Amp per module, turns off outputs upon short circuit detection	
	Base Power Required (3.3V)	24mA, for all 4 on	
	Optical Isolation	2500 Volt	
	Wires	1 of 14 AWG, 2 of 18 AWG, 4 of 22 AWG	
	Wires	1 of 14 AWG, 2 of 18 AWG, 4 of 22 AWG	

Pinout Information	
Pin No.	EZIO-4ACI4DCOP
1	Input(1)
2	Input(2)
3	Input(3)
4	Input(4)
5	AC_Common
6	Output(1)
7	Output(2)
8	Output(3)
9	Output(4)
10	GND
11	Customer_Supply(+VS)

Terminal Block
300 Volt/10
Amp/14AWG UL Rat-
ing


For EZ-LINK cables and Terminal boards look at page 4-5