

EZ I/O™

4 pt. 24VDC In/ 4 pt. 110VAC Out Module

Module Specifications		
AC/DC Power Supply Specs	Voltage Range	
	Number of Inputs	4 (sink/source)
DC Input Specs	Input Voltage Range	10-28 VDC
	Peak Voltage	40 VDC
	Input Current	1.92 mA @ 12 VDC 4.0 mA @ 24 VDC
	Maximum Input Current	5 mA @ 28 VDC
	Input Impedance	5.6k @ 10-28 VDC
	ON Voltage Level	> 10 VDC
	OFF Voltage Level	< 2 VDC
	Min. ON Current	1.5 mA
	Min. OFF Current	0.2 mA
	OFF to ON Response	2-4 ms, typical 3 ms
	ON to OFF Response	2-4 ms, typical 3 ms
	Status Indicators	Red LED for each output
	Commons	1 point
	Fuse	No Fuse
	Base Power Required (3.3V)	Typical 7.5 mA (all inputs on)
	Optical Isolation	2500 Volt
	Wires	1 of 14 AWG, 2 of 18 AWG, 4 of 22 AWG
AC Output Specs	Number of Output Points	4
	Number of Commons	1
	Output Voltage Range	20-132 VAC
	Peak Voltage	180 Volt
	ON Voltage Drop	1.2 V @ 1A
	Maximum Current	1.2 A @ 25°C, 0.8A @ 50°C for each output
	Maximum Leakage Current	1mA @ 132 VAC
	Maximum Inrush Current	38Amps for 16.6ms
	Minimum Load	15mA
	OFF to ON Response	max 1/2 cycle
	ON to OFF Response	max 1/2 cycle
	Fuse	No fuse
	Base Power Required (3.3V)	35mA for all 4 on
	Optical Isolation	2500 Volt
	Wires	1 of 14 AWG, 2 of 18 AWG, 4 of 22 AWG



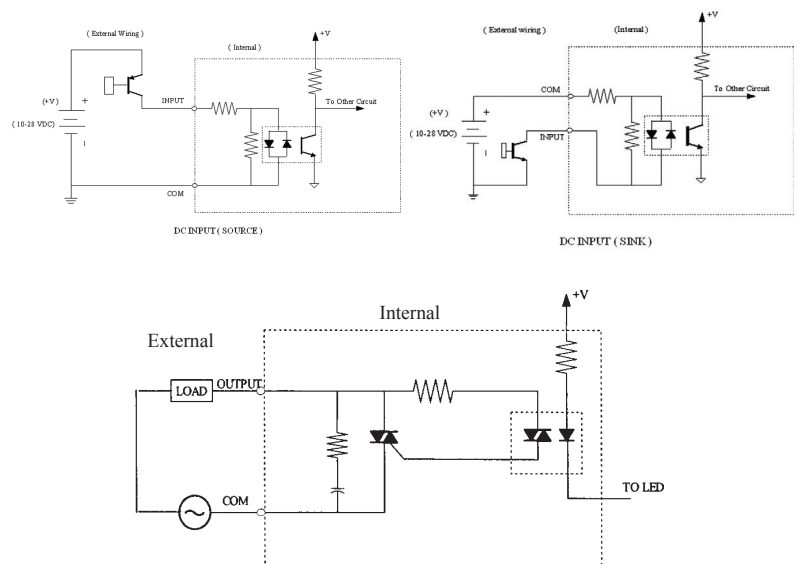
EZ IOP-4DCI4ACO
\$49

Delivery Code
STK

EZ IOP-4DCI4ACO
Screw-down

Pinout Information	
Pin No.	EZIO-4DCI4ACO
1	Input(1)
2	Input(2)
3	Input(3)
4	Input(4)
5	GND
6	Output(1)
7	Output(2)
8	Output(3)
9	Output(4)
10	AC_Common
11	Not Connected

Terminal Block
300 Volt/10
Amp/14AWG UL Rating



For EZ-LINK cables and Terminal boards look at page 4-5