



4 pt. 24VDC In/ 4 pt. 24VDC Out Module (Source)

Module Specifications		
DC Power Supply Specs	Voltage Range	
	Number of Inputs	4 (sink/source)
DC Input Specs	Input Voltage Range	10-28 VDC
	Peak Voltage	40 VDC
	Input Current	1.92 mA @ 12 VDC 4.0 mA @ 24 VDC
	Maximum Input Current	5 mA @ 28 VDC
	Input Impedance	5.6k @ 10-28 VDC
	ON Voltage Level	> 10 VDC
	OFF Voltage Level	< 2 VDC
	Min. ON Current	1.5 mA
	Min. OFF Current	0.2 mA
	OFF to ON Response	2-4 ms, typical 3 ms
	ON to OFF Response	2-4 ms, typical 3 ms
	Status Indicators	Red LED for each output
	Commons	1 point
	Fuse	No Fuse
	Base Power Required (3.3V)	Typical 7.5 mA (all inputs on)
Optical Isolation	2500 Volt	
Wires	1 of 14 AWG, 2 of 18 AWG, 4 of 22 AWG	
DC Output Specs	Number of Outputs	4 (sourcing)
	Peak Voltage	50.0 VDC
	Maximum Steady State Output Current	0.5A per output, 1.0A max per module @ 50°C
	Maximum Leakage Current	100µA @ 50 VDC @ 50°C
	ON Voltage Drop	2 VDC @ 0.5A
	Maximum Inrush Current	0.8A for 10ms
	OFF to ON Response	< 2µs
	ON to OFF Response	<10µs
	Status Indicators	Red LED for each output
	+V Terminals & Commons	One V+, 1 Common
	Short Circuit Protection	1 Amp per module, turns off outputs upon short circuit detection
	Base Power Required (3.3V)	20mA, all outputs on
	Optical Isolation	2500 Volt
	Wires	1 of 14 AWG, 2 of 18 AWG, 4 of 22 AWG

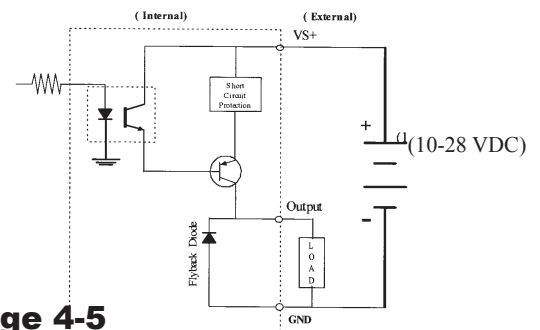
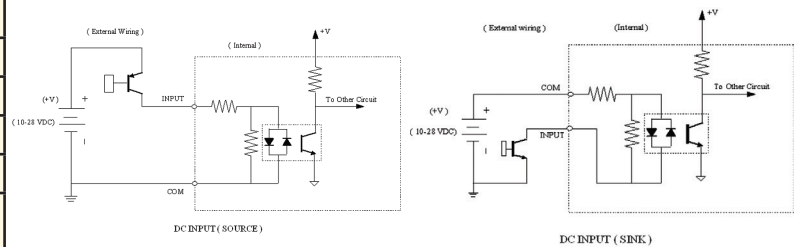


Delivery Code STK

EZIOP-4DCI4DCOP
Screw-down

Pinout Information	
Pin No.	EZIO-4DCI4DCOP
1	Input(1)
2	Input(2)
3	Input(3)
4	Input(4)
5	GND
6	Output(1)
7	Output(2)
8	Output(3)
9	Output(4)
10	GND
11	Customer_Supply(+VS)

Terminal Block
300 Volt/10
Amp/14AWG UL Rating



For EZ-LINK cables and Terminal boards look at page 4-5