

# EZ I/O™

## 4 pt. 24VDC In/4 pt. Relay Out Module with built-in Electromagnetic shield



**EZIOP-4DCIP4RLO**  
**\$59**

Delivery  
Code  
STK

**EZIOP-4DCIP4RLO**  
**Screw-down**

DC  
Input  
Specs

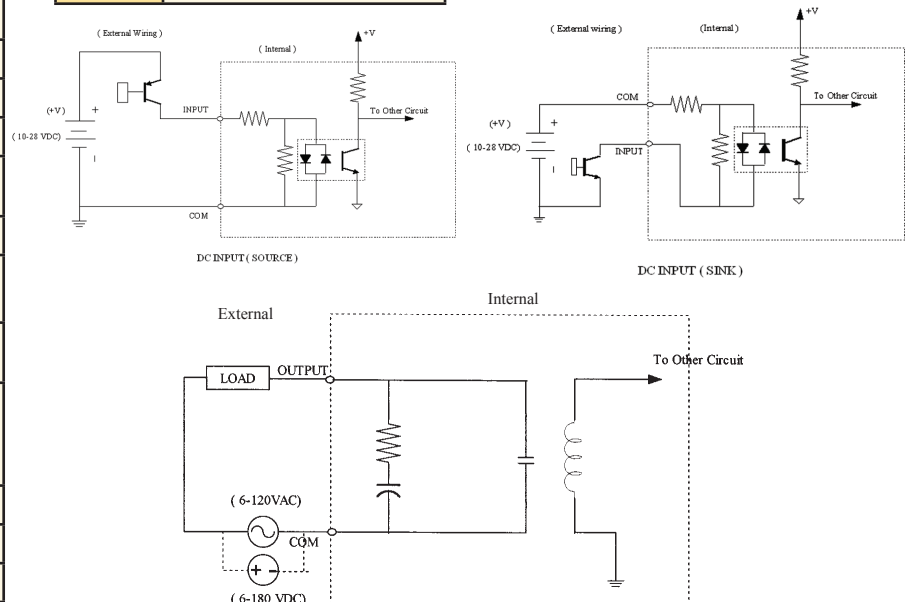
Module Specifications	
Number of Inputs	4 (sink/source)
Input Voltage Range	10-28 VDC
Peak Voltage	40 VDC
Input Current	1.92 mA @ 12 VDC 4.0 mA @ 24 VDC
Maximum Input Current	5 mA @ 28 VDC
Input Impedance	5.6k @ 10-28 VDC
ON Voltage Level	> 10 VDC
OFF Voltage Level	< 2 VDC
Min. ON Current	1.5 mA
Min. OFF Current	0.2 mA
OFF to ON Response	2-4 ms, typical 3 ms
ON to OFF Response	2-4 ms, typical 3 ms
Status Indicators	Red LED for each output
Commons	2 points
Fuse	No Fuse
Base Power Required (3.3V)	Typical 7.5mA (all inputs on)
Optical Isolation	2500 Volt
Wires	1 of 14 AWG, 2 of 18 AWG, 4 of 22 AWG

Relay  
Output  
Specs

Number of Outputs	4
Output Voltage Range	5-180 VDC or 20-132 VAC
Output Type	Relay 1 Form A (SPST)
Output Terminals Consumed	5
Peak Voltage	180 VDC/200 VAC
AC Frequency	47-63 Hz
Maximum Current (resist.)	1A/point
Maximum Leakage Current	0.5mA @ 130 VAC @ 60Hz
ON Voltage Drop	1.5 V @ 1 Amp
Maximum Switching Current	0.5A
Electromagnetic Shield	2 pF between contact and shield
Dielectric Strength	250V between contacts, 1500V between contacts and shield
OFF to ON Response	≤1ms (typical)
ON to OFF Response	≤1ms (typical)
Status Indicators	Red LEDs
Commons	1
Base Power Required (3.3V)	25mA

Pinout Information	
Pin No.	EZIO-4DCIP4RLO
1	Input(1)
2	Input(2)
3	Input(3)
4	Input(4)
5	Customer_COM (GND)
6	Output(1)_Normally open
7	Output(2)_Normally open
8	Output(3)_Normally open
9	Output(4)_Normally open
10	Customer_COM (GND)
11	Not Connected

**Terminal Block**  
**300 Volt/10**  
**Amp/14AWG UL Rating**



**For EZ-LINK cables and Terminal boards look at page 4-5**