



# 4 pt. 24VDC Out (Source), 4 pt. 110AC Out Module

**EZIO-4DCOP4ACO**  
**\$49**



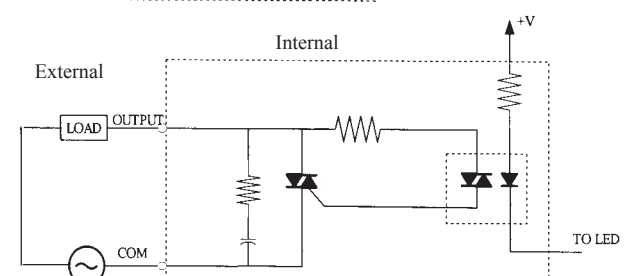
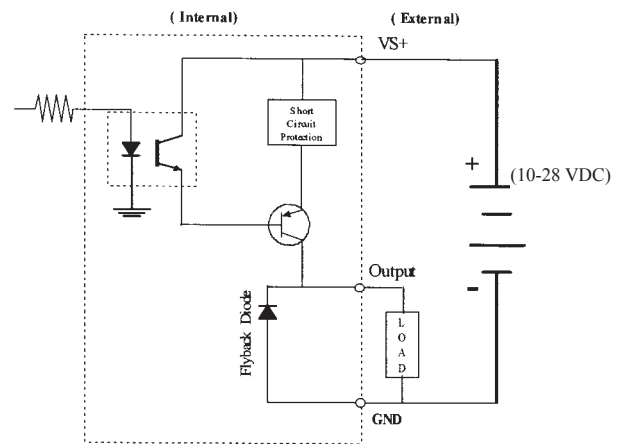
Delivery Code  
STK

**EZIO-4DCOP4ACO**  
Screw-down

Module Specifications		
AC/DC Power Supply Specs	Voltage Range	
	Number of Outputs	4 (sourcing)
DC Output Specs	Peak Voltage	50.0 VDC
	Maximum Steady State Output Current	0.5A per output, 1.0A max per module @ 50°C
	Maximum Leakage Current	100µA @ 50 VDC @ 50°C
	ON Voltage Drop	2 VDC @ 0.5A
	Maximum Inrush Current	0.8A for 10ms
	OFF to ON Response	< 2µs
	ON to OFF Response	<10µs
	Status Indicators	Red LED for each output
	+V Terminals & Commons	One V+, 1 Common
	Short Circuit Protection	1 Amp per module, turns off outputs upon short circuit detection
	Base Power Required (3.3V)	20mA, for all 4 on
	Optical Isolation	2500 Volt
	Wires	1 of 14 AWG, 2 of 18 AWG, 4 of 22 AWG
AC Output Specs	Number of Output Points	4
	Number of Commons	1
	Output Voltage Range	20-132 VAC
	Peak Voltage	180 Volt
	ON Voltage Drop	1.2 V @ 1A
	Maximum Current	1.2 A @ 25°C, 0.8A @ 50°C for each output
	Maximum Leakage Current	1mA @ 132 VAC
	Maximum Inrush Current	38Amps for 16.6ms
	Minimum Load	15mA
	OFF to ON Response	max 1/2 cycle
	ON to OFF Response	max 1/2 cycle
	Fuse	No fuse
	Base Power Required (3.3V)	35mA for all 4 on
Optical Isolation	2500 Volt	
Wires	1 of 14 AWG, 2 of 18 AWG, 4 of 22 AWG	

Pinout Information	
Pin No.	EZIO-4DCOP4ACO
1	AC Output(1)
2	AC Output(2)
3	AC Output(3)
4	AC Output(4)
5	AC_Common
6	DC Output(5)
7	DC Output(6)
8	DC Output(7)
9	DC Output(8)
10	GND
11	Customer_Supply( +VS )

**Terminal Block**  
**300 Volt/10 Amp/14AWG**  
**UL Rating**



**For EZ-LINK cables and Terminal boards look at page 4-5**