

EZIO™

4 pt. Relay Out Module with built-in Electromagnetic shield

Module Specifications	
Number of Outputs	4
Output Voltage Range	5-180 VDC or 20-132 VAC
Output Type	Relay 1 Form A (SPST)
Output Terminals Consumed	8
Peak Voltage	180 VDC/200 VAC
AC Frequency	47-63 Hz
Maximum Current (resist.)	1A/point
Maximum Leakage Current	0.5mA @ 130 VAC @ 60Hz
Maximum Switching Current	0.5A
Electromagnetic Shield	2 pF between contact and shield
Dielectric Strength	250V between contacts, 1500V between contacts and shield
OFF to ON Response	≤1ms (typical)
ON to OFF Response	≤1ms (typical)
Status Indicators	Red LEDs
Contacts	4 isolated
Base Power Required (3.3V)	50mA



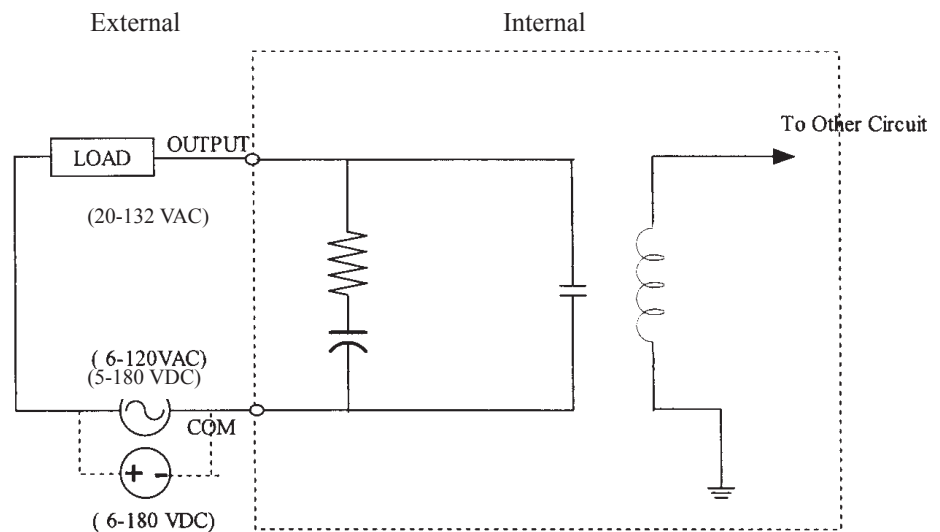
EZIOP-4RLO
\$65

Delivery
Code
STK

EZIOP-4RLO
Screw-down

Terminal Block
300 Volt/10 Amp/14AWG
UL Rating

Pinout Information	
Pin No.	EZIO-4RLO
1	Output(1)_Normally open
2	Output(1)_COM
3	Output(2)_Normally open
4	Output(2)_COM
5	Not Connected
6	Not Connected
7	Output(3)_Normally open
8	Output(3)_COM
9	Not Connected
10	Output(4)_Normally open
11	Output(4)_COM



For EZ-LINK cables and Terminal boards look at page 4-5