



# 8 pt. 24VDC Input Module

Delivery Code  
STK

**EZIO-8DCI**  
**\$29**



**Terminal Block**  
**300 Volt/10**  
**Amp/14AWG**  
**UL Rating**

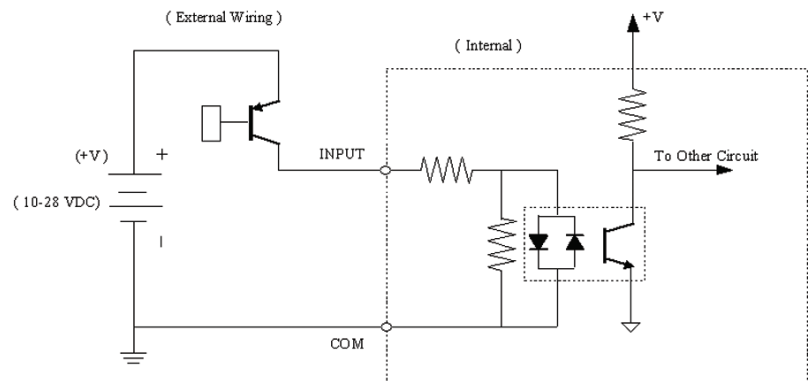
**EZIO-8DCI**  
**Screw-down**

Module Specifications	
Number of Inputs	8 (sink/source)
Input Voltage Range	10-28 VDC
Peak Voltage	40 VDC
Input Current	1.92 mA @ 12 VDC 4.0 mA @ 24 VDC
Maximum Input Current	5 mA @ 28 VDC
Input Impedance	5.6k @ 10-28 VDC
ON Voltage Level	> 10 VDC
OFF Voltage Level	< 2 VDC
Min. ON Current	1.5 mA
Min. OFF Current	0.2 mA
OFF to ON Response	2-4 ms, typical 3 ms
ON to OFF Response	2-4 ms, typical 3 ms
Status Indicators	Red LED for each input
Commons	2 points
Fuse	No Fuse
Base Power Required (3.3V)	Typical 15mA (all inputs on)
Optical Isolation	2500 Volt
Wires	1 of 14 AWG, 2 of 18 AWG, 4 of 22 AWG

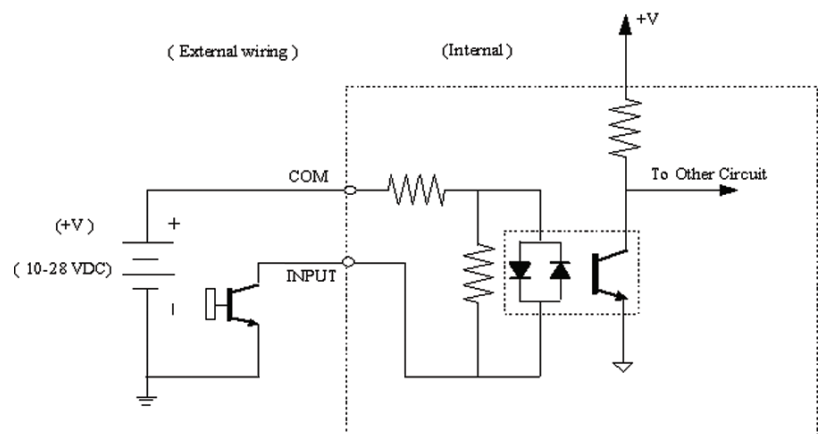
Pinout Information	
Pin No.	EZIO-8DCI
1	Input(1)
2	Input(2)
3	Input(3)
4	Input(4)
5	COM
6	Input(5)
7	Input(6)
8	Input(7)
9	Input(8)
10	COM
11	Not Connected

Note: Pin 5 and Pin10 are the same point, electrically

**For EZ-LINK cables and Terminal boards look at page 4-5**



DC INPUT ( SOURCE )



DC INPUT ( SINK )