

8

7

6

5

4

3

2

1

D

D

C

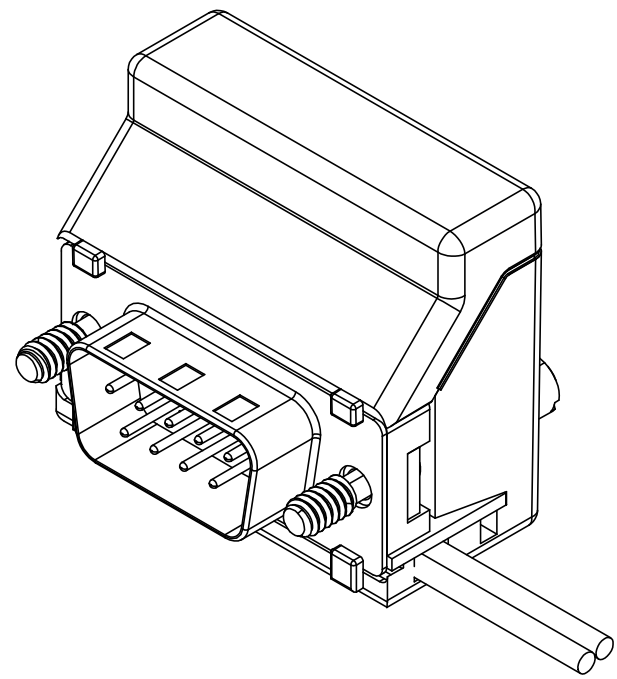
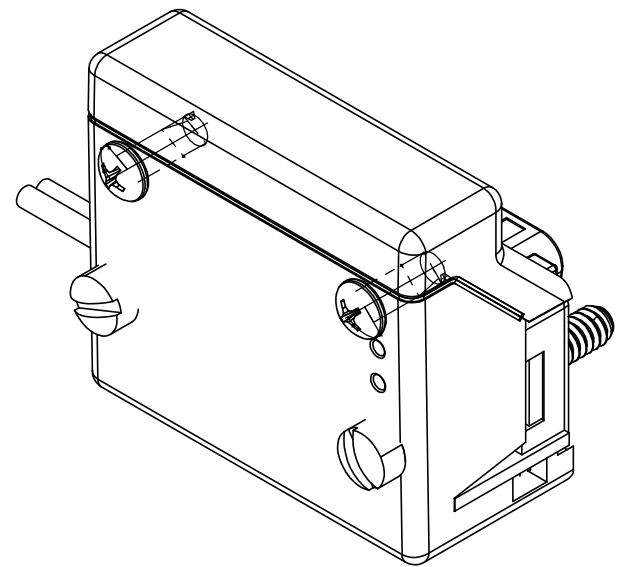
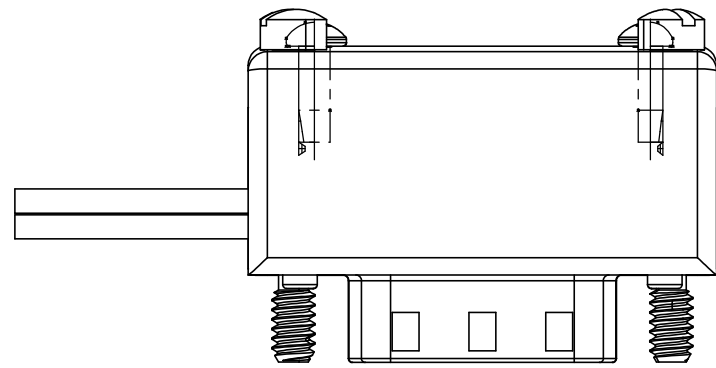
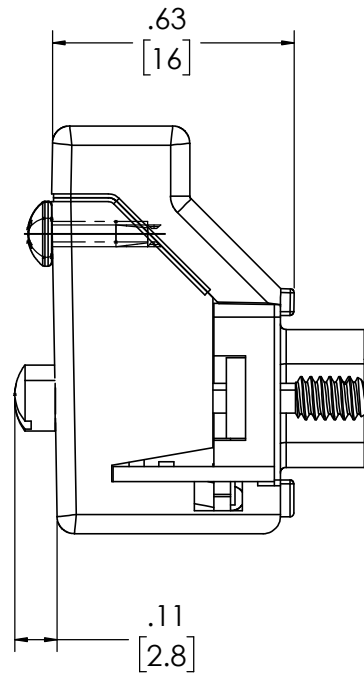
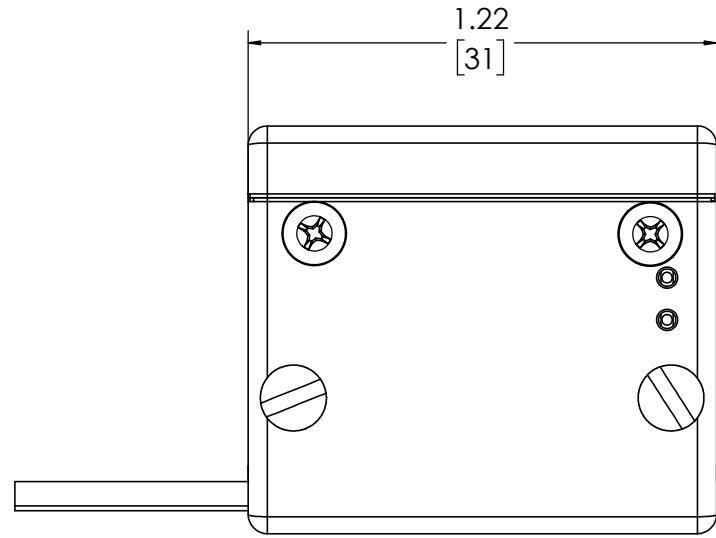
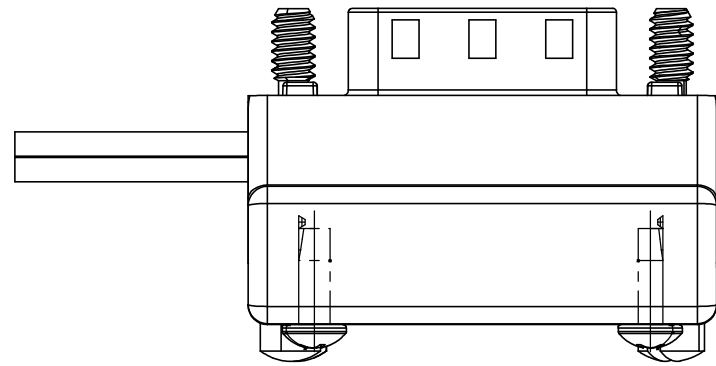
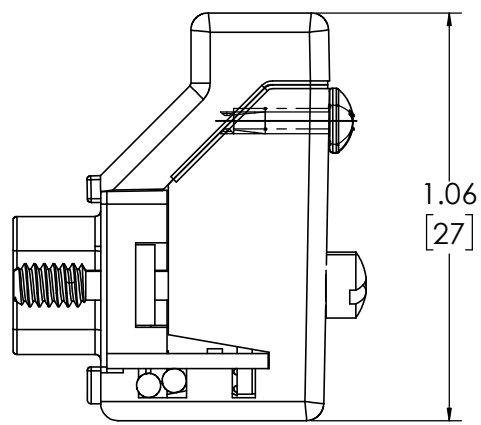
C

B

B

A

A



**PROPRIETARY AND CONFIDENTIAL**  
 THE INFORMATION CONTAINED IN THIS DRAWING IS THE SOLE PROPERTY OF AVG AUTOMATION. ANY REPRODUCTION IN PART OR AS A WHOLE WITHOUT THE WRITTEN PERMISSION OF AVG AUTOMATION IS PROHIBITED.

UNLESS OTHERWISE SPECIFIED:		NAME	DATE
DIMENSIONS ARE IN MILLIMETERS		DRAWN	LRF
TOLERANCES:		CHECKED	
FRACTIONAL: ±		ENG APPR.	SG
ANGULAR: MATCH ± BEND ±		MFG APPR.	
TWO PLACE DECIMAL: ±		Q.A.	
THREE PLACE DECIMAL: ±		COMMENTS:	
INTERPRET GEOMETRIC TOLERANCING PER:			
MATERIAL:			
FINISH:			
NEXT ASSY	USED ON		
APPLICATION			DO NOT SCALE DRAWING

EZ AUTOMATION		
TITLE:		
SIZE	DWG. NO.	REV
D		
SCALE: 4:1	WEIGHT:	SHEET 1 OF 1

8

7

6

5

4

3

2

1