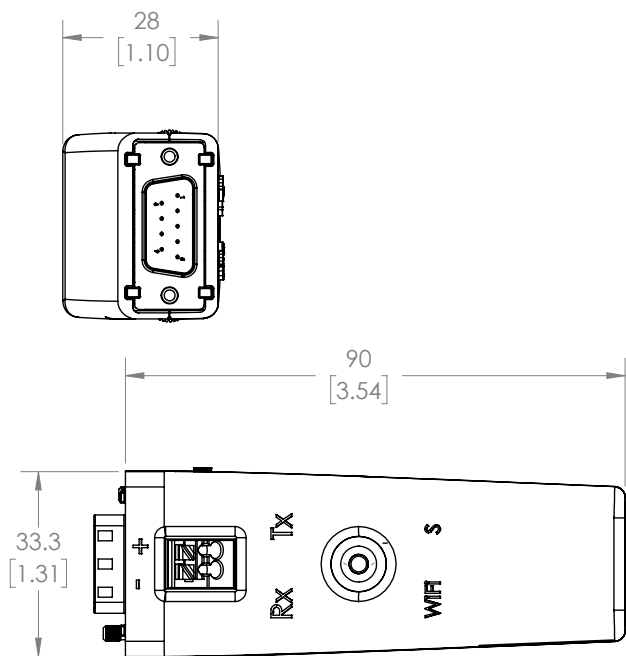


# **EZ Wifi** Detailed Specifications

Feature	Description	
<b>Part Number</b>	<i>EZ-WiFi</i>	<i>EZ-WiFi-MQ</i>
<b>For use with</b>	EZTouch, EZTouch I/O, EZPLC, EZ Logix use standard 9-pin DB9 Connector	EZMarquee & EZ iMarquee requires both EZ Wifi module and Wifi 3-wire pig-tail cable (EZ-CBL-WiFi)
<b>Power</b>	Two AAA batteries (Up to 10Hr operation) or 10-28VDC @120mA	
<b>Wireless Interface</b>	802.11b/g/n industrial standard wireless	
<b>Interface</b>	Wi-Fi mode: STA (Station) / AP (Access Point) / STA+AP	
<b>Serial Protocol</b>	RS232	
<b>Serial Data rates</b>	38.4KB Fixed	
<b>Firmware Upgrade</b>	Over the Air (OTA)	
<b>Frequency Band</b>	2.4 GHz	
<b>Operating Temperature</b>	0°C to 60°C (32°F to 140°F)	
<b>Security</b>	WEP, WPA, WPA2	
<b>Dimension</b>	3.54" x 1.31" x 1.10"	
<b>Agency Approval</b>	FCC	
<b>Price</b>	<b>\$99</b>	<b>\$109</b>

## Dimension & Drawing



## Wifi Accessories



Part Number	Description
EZ-CBL-WiFi	Wifi 3-wire pig-tail cable for EZMarquee
<b>Price</b>	<b>\$10</b>

Color	Wifi	EZMarquee
Black	RXD	TXD
White	TXD	RXD
Green	Ground	Ground